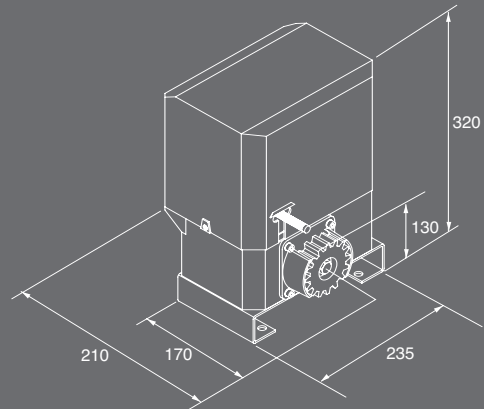
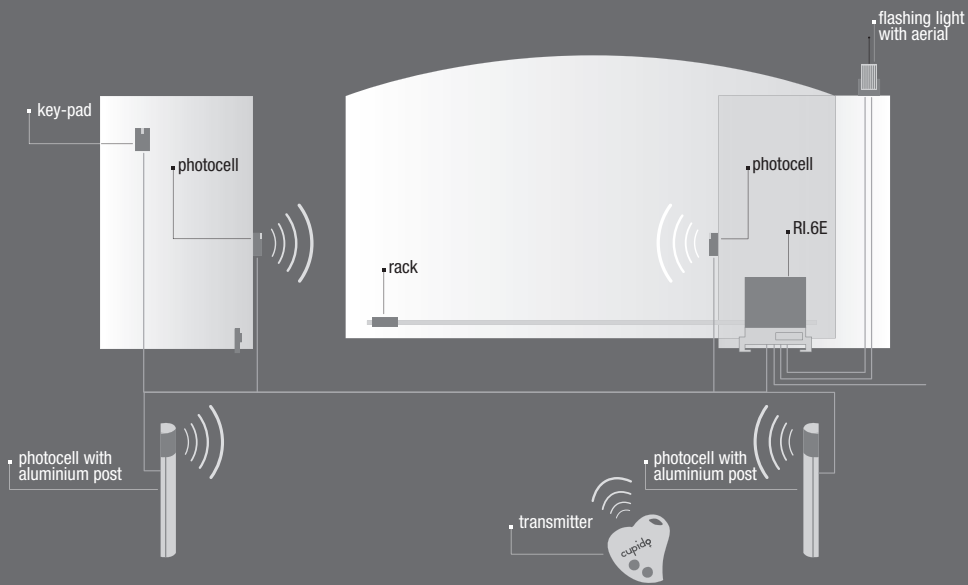


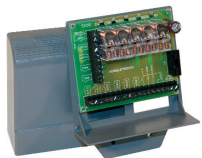
INSTALLATION DRAWING

DIMENSIONS



SUGGESTED ACCESSORIES

DA.2S



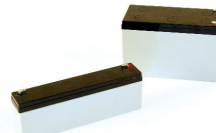
Electronic module which allows the synchronized movement of two gates

LB



Standard box for control units. Protection level IP 55

DA.BT6 DA.BT2



DA.BT6: Battery 6Ah 12 VDC
DA.BT2: Battery 2.1Ah 12 VDC
Only the batteries DA.BT2 can be placed into the operator.

RI.M4Z



M4 galvanized rack (22x22x2000 mm)

RI.M4P



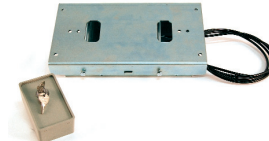
M4 Nylon rack, provided with slots and screws (28x40x1000 mm)

RI.M4F



M4 galvanized rack with slots and screws (30x12x1000 mm)

RI.SF



Outdoor wire unlock system for gates without pedestrian entrance.

ID.TA



Aluminium warning board

